

1

2

3

4

5

6

7

8

9

10

A

B

C

D

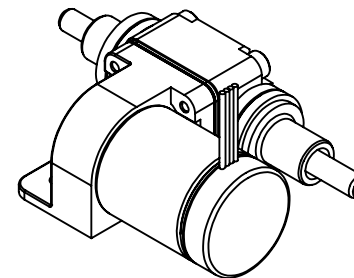
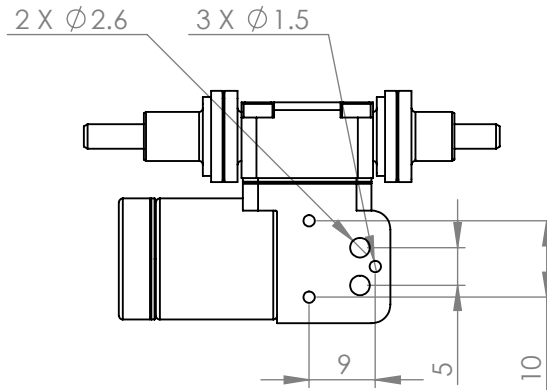
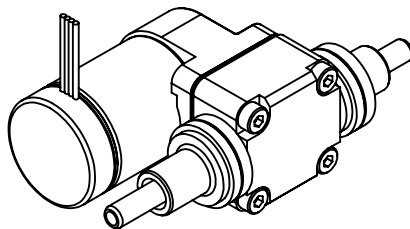
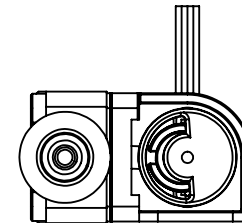
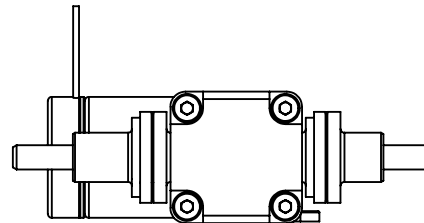
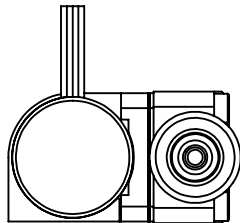
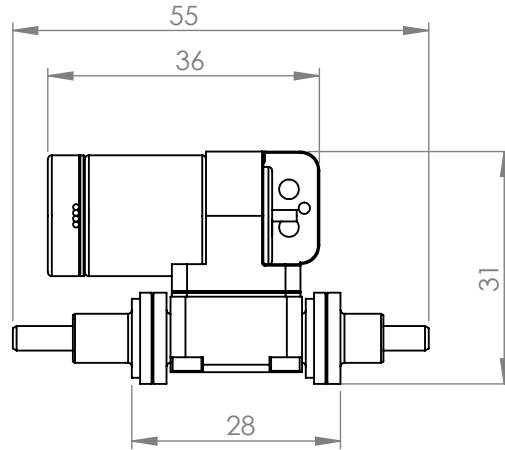
E

F

G

H

NOTE
DIMENSIONS BASED
ON BRUSHED VARIANT



REVISIONS

REV	DESCRIPTION	DRN	DATE
1	RELEASED TO PRODUCTION	IF	25/07/2013



TCS MICROPUMPS LTD - HIGHFIELD, FAVERSHAM ROAD,
OSPRINGE, KENT. ME13 OSF TEL (0)1795 539655

NOTES

MATERIAL SEE COMPONENT LEVEL

COATING SEE COMPONENT LEVEL

FINISH NATURAL, UNMARKED

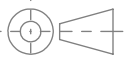
COLOUR N/A

STANDARD TOLLERANCES
APPLICABLE TO ALL DIMENSIONS ON THIS DRAWING UNLESS OTHERWISE STATED

WHOLE NUMBERS +/- 0.5
DECIMAL 1.0 +/- 0.1
DECIMAL 1.00 +/- 0.05

CRITICAL DIMENSIONS ARE SHOWN CIRCLED

THIS DRAWING IS THE PROPERTY
OF TCS MICROPUMPS LTD. IT IS A
CONFIDENTIAL DOCUMENT AND
MUST NOT BE COPIED, USED OR ITS
CONTENTS DIVULGED WITHOUT
PRIOR WRITTEN CONSENT



3RD ANGLE

A3 DIMENSIONS IN MM SCALE 1:1

DRAWN BY IF DATE 25/07/2013

CHECKED BY DATE

TITLE Reciprical Pump For Liquids

DRG NO D250-L SHEET NO 1 OF 1 REV 1

1

2

3

4

5

6

7

8

9

10