

# MAN-D10K

## Reversible Flow Manifold



### Reversible Flow Manifold for Gases

#### Overview :

The MAN-D10K Reversible Flow Manifold can be used to change the direction of flow within a given piped circuit. For example when used with a D10K Micropump the MAN-D10K can be used to switch the pump's inlet and outlet ports allowing the same pump to be used to fill a container or to empty it.

The manifold's body is constructed from precision machined CNC alloy components and the valves are manufactured using engineering grade polymers and use seals manufactured from Buna-N. They are switched using a 12v DC supply.

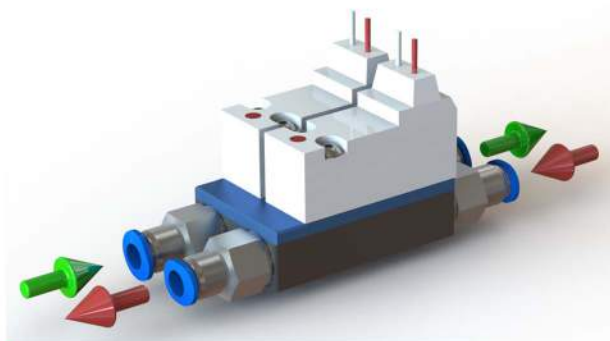
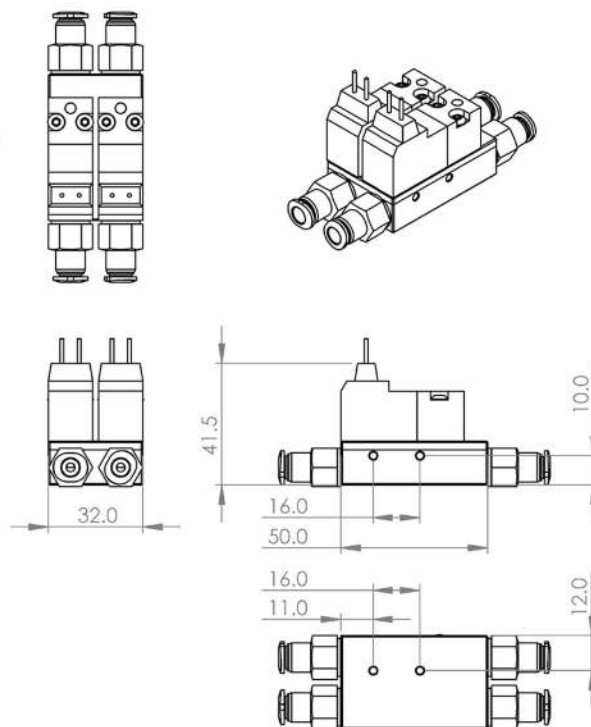
They come supplied without hose connectors but with industry standard G 1/8 threaded ports so that the connectors of your choice can be fitted

#### Typical Applications

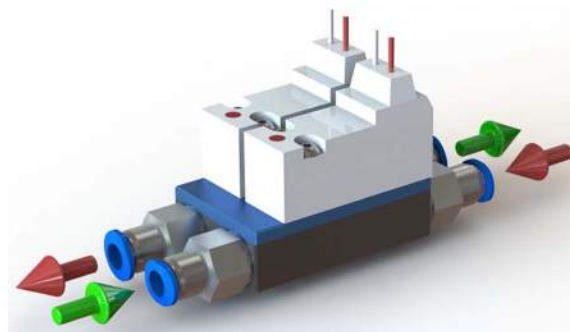
Medical Devices / Analysis systems / Calibration devices

#### Features

- CNC aluminium alloy and precision injection moulded construction
- Low power consumption (12v - 2.3W)
- Small size only 32 x 50 x 41 mm
- Weight 131g
- Usable with power supply or batteries
- Wide range of chemical resistance



Pictured - Power off - Standard Flow



Pictured - Power applied - Flow reversed