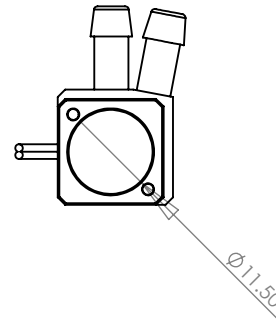
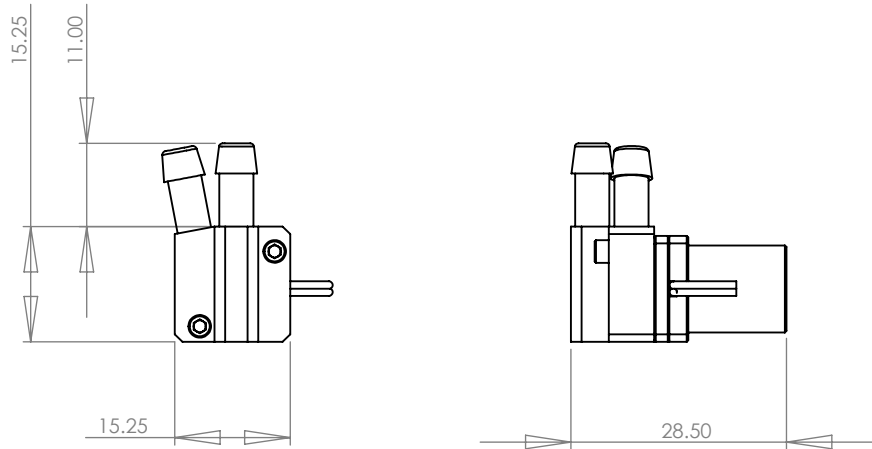
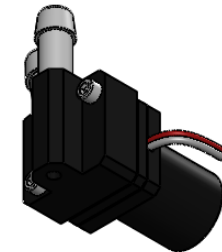
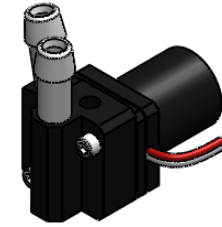
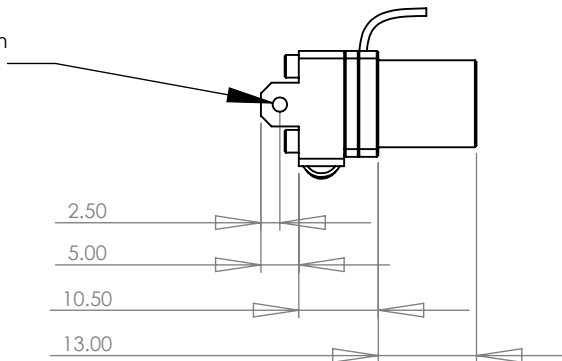



Hose connectors suit
3.2mm (1/8") bore tubing



M2 mounting hole
Minimum thread depth
3mm



DWG No.	M200 S Assembly	DRAWN	I.F.	ISSUE	V2.0
TITLE:	M200 S assembly	TCS Micro Ltd			
PROJECTION		Material	Various	DATE	21/10/2011
		FINISH	Good quality machine finish free from burrs. Anodised where appropriate	SCALE:	1:1
		TOLERANCE	Unless otherwise stated: Dimensions / CAD model +/- 0.05mm		
TEL:	+44 (0)1795 539655	EMAIL:	info@micropumps.co.uk	SHEET	A4 - 1 OF 1