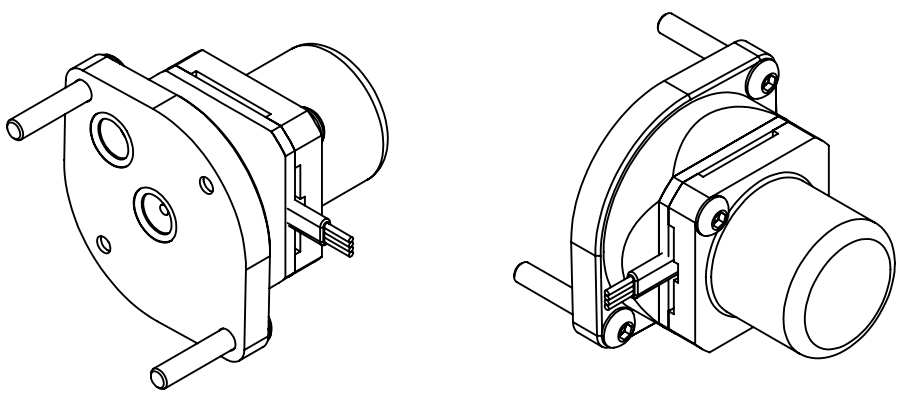
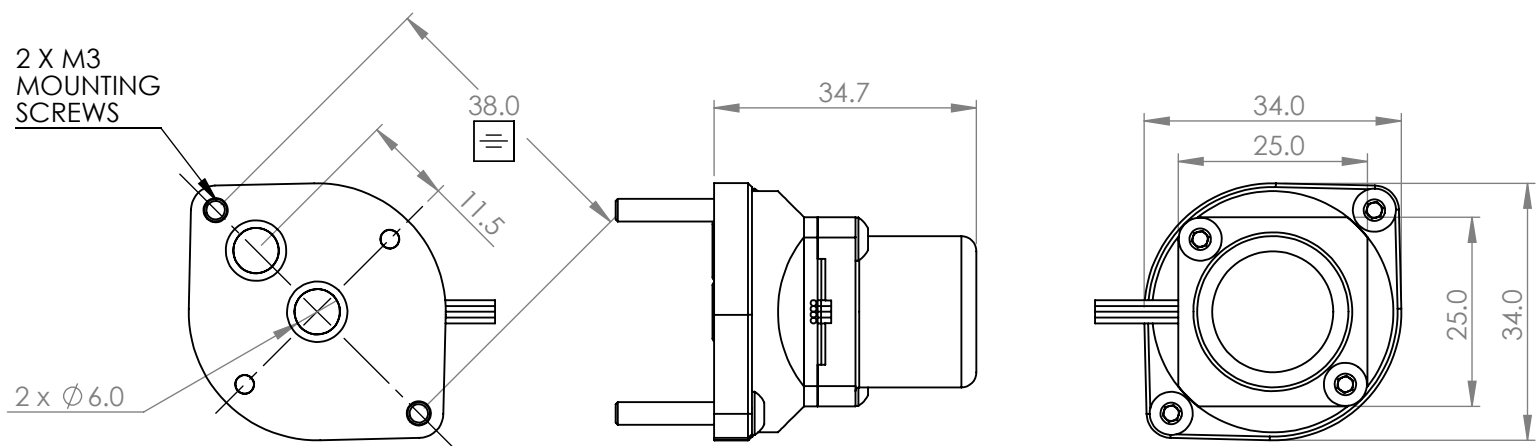



M400M MANIFOLD MOUNT PUMP OVER ALL DIMENSIONS



REVISIONS			
REV	DESCRIPTION	DRN	DATE
1	INITIAL RELEASE	IF	28/01/2014



TCS MICROPUMPS LTD - HIGHFIELD, FAVERSHAM ROAD,
OSPRINGE, KENT. ME13 OSF TEL (0)1795 539655

NOTES

MATERIAL SEE COMPONENT LEVEL

COATING SEE COMPONENT LEVEL

FINISH SEE COMPONENT LEVEL

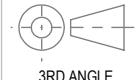
COLOUR N/A

STANDARD TOLLERANCES
APPLICABLE TO ALL DIMENSIONS ON THIS DRAWING UNLESS OTHERWISE STATED

WHOLE NUMBERS +/- 0.5
DECIMAL 1.0 +/- 0.1
DECIMAL 1.00 +/- 0.05

CRITICAL DIMENSIONS ARE SHOWN CIRCLED

THIS DRAWING IS THE PROPERTY OF TCS MICROPUMPS LTD. IT IS A CONFIDENTIAL DOCUMENT AND MUST NOT BE COPIED, USED OR ITS CONTENTS DIVULGED WITHOUT PRIOR WRITTEN CONSENT



3RD ANGLE

A3	DIMENSIONS IN MM	SCALE	1:1
DRAWN BY	IF	DATE	13/02/2014
CHECKED BY		DATE	

TITLE Centrifugal Pump

DRG NO	M400	SHEET NO	1 OF 1	REV	1
--------	------	----------	--------	-----	---