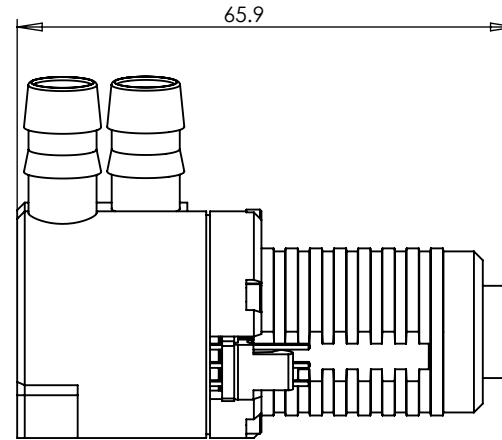
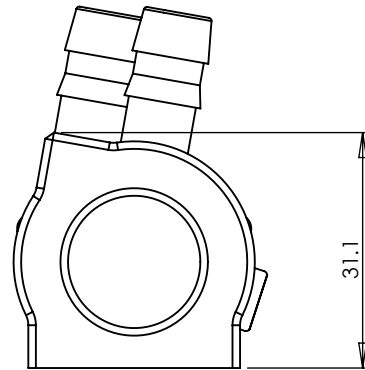
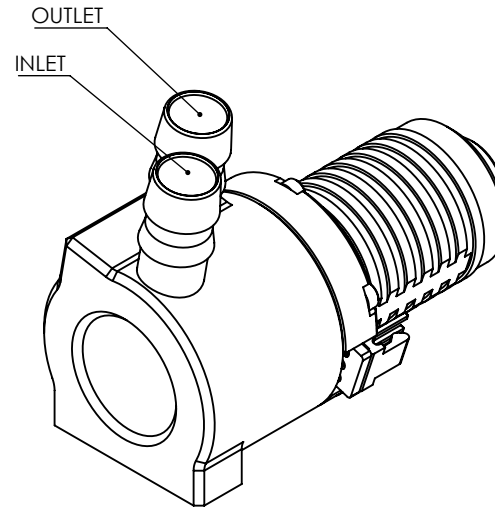
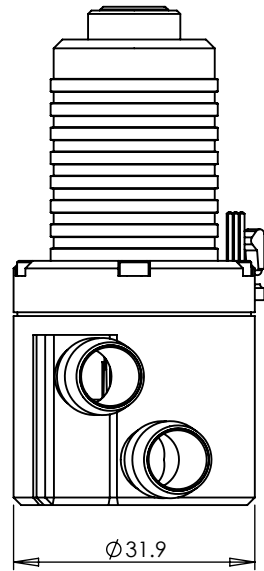
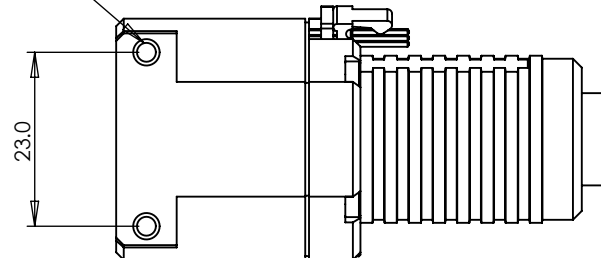


STAINLESS STEEL VOLUTE
STANDARD CONFIGURATION



2 X M3 MOUNTING HOLES



TCS MICROPUMPS LTD - HIGHFIELD, FAVERSHAM ROAD,
OSPRINGE, KENT. ME13 OSF TEL (0)1795 539655

NOTES

DIMENSIONS NOT SHOWN CAN BE TAKEN
FROM THE CAD MODEL. TOLERANCE +/- 0.05

MATERIAL SEE COMPONENT LEVEL

COATING N/A

FINISH NATURAL, UNMARKED

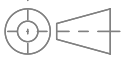
COLOUR SEE COMPONENT LEVEL

STANDARD TOLERANCES
APPLICABLE TO ALL DIMENSIONS ON THIS DRAWING UNLESS OTHERWISE STATED

WHOLE NUMBERS +/- 0.5
DECIMAL 1.0 +/- 0.1
DECIMAL 1.00 +/- 0.05

CRITICAL DIMENSIONS ARE SHOWN CIRCLED

THIS DRAWING IS THE PROPERTY
OF TCS MICROPUMPS LTD. IT IS A
CONFIDENTIAL DOCUMENT AND
MUST NOT BE COPIED, USED OR ITS
CONTENTS DIVULGED WITHOUT
PRIOR WRITTEN CONSENT



3RD ANGLE

A3 DIMENSIONS IN MM SCALE 1:1

DRAWN BY JF DATE 22/02/2018

CHECKED BY DATE

TITLE High Performance Centrifugal Pump

DRG NO M510	SHEET NO 8 OF 9	REV 2
----------------	--------------------	----------