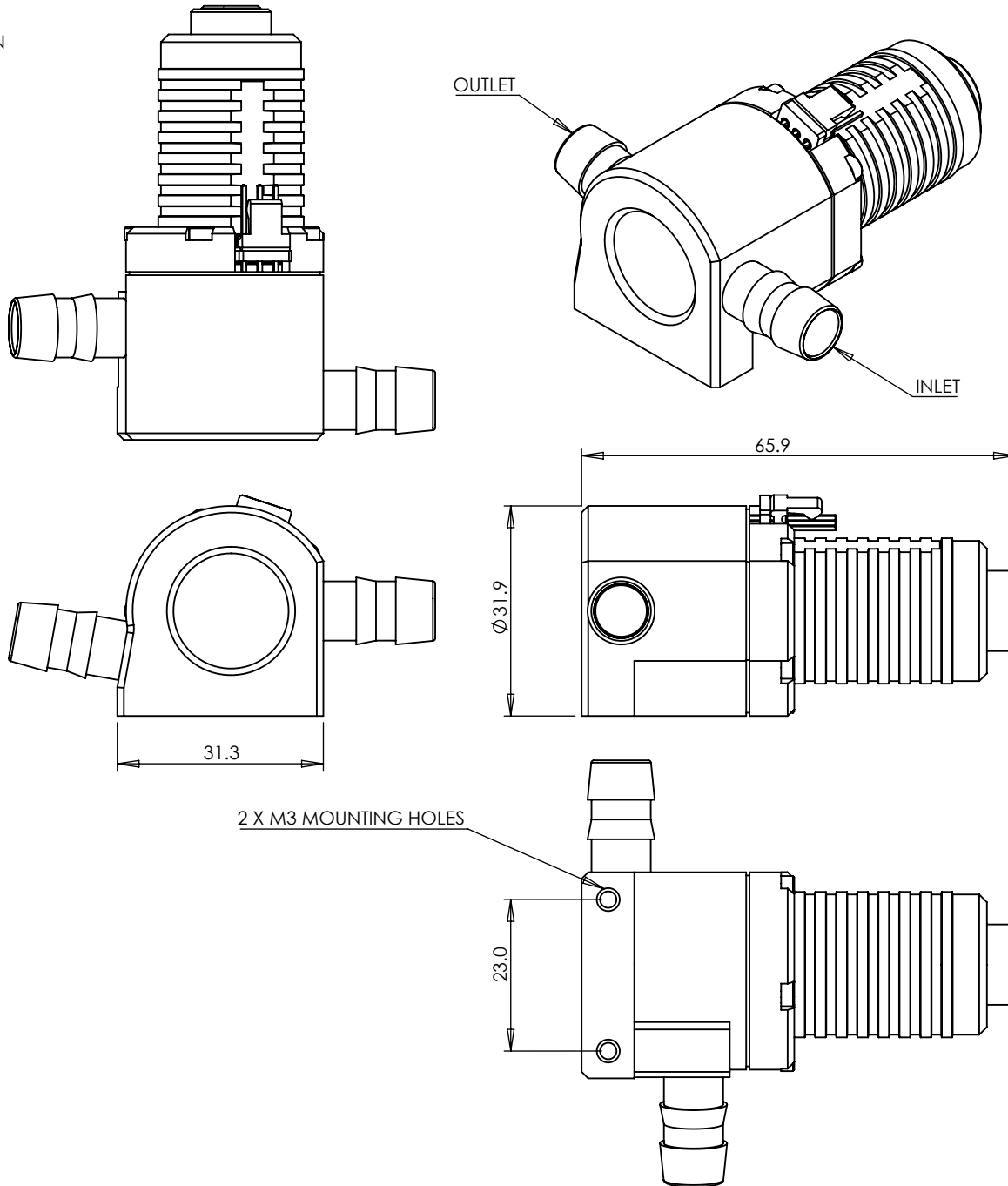


STAINLESS STEEL VOLUTE  
180 DEG CONFIGURATION



TCS MICROPUMPS LTD - HIGHFIELD, FAVERSHAM ROAD,  
OSPRINGE, KENT. ME13 0SF TEL (0)1795 539655

NOTES

DIMENSIONS NOT SHOWN CAN BE TAKEN  
FROM THE CAD MODEL. TOLERANCE +/- 0.05

MATERIAL SEE COMPONENT LEVEL

COATING

FINISH NATURAL, UNMARKED

COLOUR SEE COMPONENT LEVEL

STANDARD TOLERANCES  
APPLICABLE TO ALL DIMENSIONS ON THIS DRAWING UNLESS OTHERWISE STATED

WHOLE NUMBERS +/- 0.5  
DECIMAL 1.0 +/- 0.1  
DECIMAL 1.00 +/- 0.05

CRITICAL DIMENSIONS ARE SHOWN CIRCLED

THIS DRAWING IS THE PROPERTY  
OF TCS MICROPUMPS LTD. IT IS A  
CONFIDENTIAL DOCUMENT AND  
MUST NOT BE COPIED, USED OR ITS  
CONTENTS DIVULGED WITHOUT  
PRIOR WRITTEN CONSENT



3RD ANGLE

A3	DIMENSIONS IN MM	SCALE	1:1
DRAWN BY	IF	DATE	22/02/2018
CHECKED BY		DATE	

TITLE High Performance Centrifugal Pump

DRG NO	SHEET NO	REV
M510	9 OF 9	2