

1

2

3

4

5

6

7

8

9

10

A

B

C

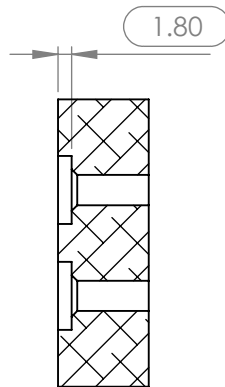
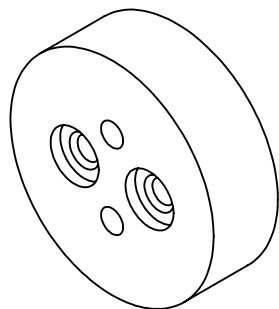
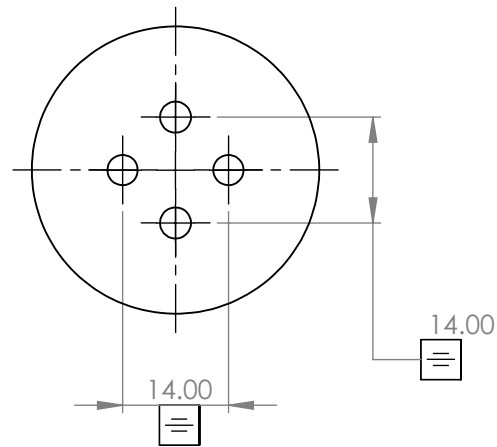
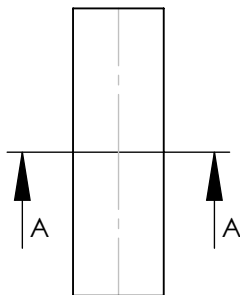
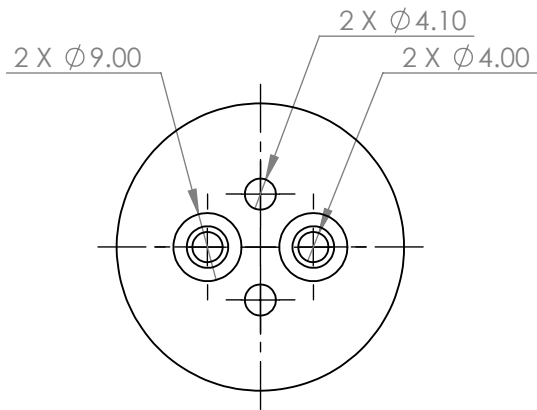
D

E

F

G

H



SECTION A-A

DESIGNED FOR USE WITH :-
 5.O ID - 2.0 WALL O RINGS
 M4 FIXINGS

REVISIONS

REV	DESCRIPTION	DRN	DATE
1	RELEASED TO PRODUCTION	IF	16/10/2013



TCS MICROPUMPS LTD - HIGHFIELD, FAVERSHAM ROAD,
 OSPRINGE, KENT. ME13 OSF TEL (0)1795 539655

NOTES

MATERIAL N/A

COATING N/A

FINISH GOOD QUALITY MACHINE FINISH, FREE FROM BURRS

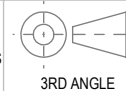
COLOUR SELF COLOUR

STANDARD TOLLERANCES APPLICABLE TO ALL DIMENSIONS ON THIS DRAWING UNLESS OTHERWISE STATED

WHOLE NUMBERS +/- 0.5
 DECIMAL 1.0 +/- 0.1
 DECIMAL 1.00 +/- 0.05

CRITICAL DIMENSIONS ARE SHOWN CIRCLED

THIS DRAWING IS THE PROPERTY OF TCS MICROPUMPS LTD. IT IS A CONFIDENTIAL DOCUMENT AND MUST NOT BE COPIED, USED OR ITS CONTENTS DIVULGED WITHOUT PRIOR WRITTEN CONSENT



A3 DIMENSIONS IN MM SCALE 1:1

DRAWN BY IF DATE 16/10/2013

CHECKED BY DATE

TITLE MG 1000 Series Face Mount Manifold

DRG NO P-0146 SHEET NO 1 OF 1 REV 1

1

2

3

4

5

6

7

8

9

10