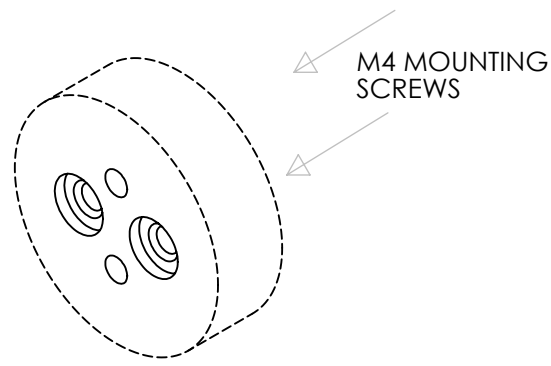
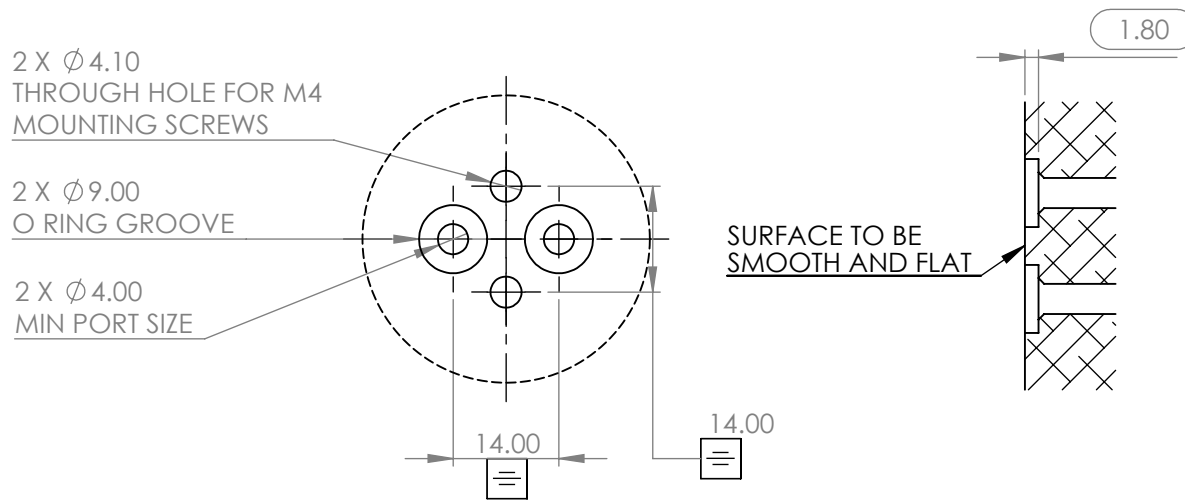


DRAWING SHOWS INTERFACE DIMENSIONS. THESE FEATURES SHOULD BE INCORPORATED INTO YOUR MANIFOLD



DESIGNED FOR USE WITH :-  
5.0 ID - 2.0 WALL O RINGS  
M4 FIXINGS

REVISIONS

REV	DESCRIPTION	DRN	DATE
1	RELEASED TO PRODUCTION	IF	16/10/2013
2	UPDATED NOTES	IF	24/02/2014



TCS MICROPUMPS LTD - HIGHFIELD, FAVERSHAM ROAD,  
OSPRINGE, KENT. ME13 0SF TEL (0)1795 539655

NOTES

MATERIAL N/A

COATING N/A

FINISH GOOD QUALITY MACHINE FINISH, FREE FROM BURRS

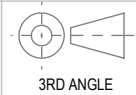
COLOUR SELF COLOUR

STANDARD TOLLERANCES  
APPLICABLE TO ALL DIMENSIONS ON THIS DRAWING UNLESS OTHERWISE STATED

WHOLE NUMBERS +/- 0.5  
DECIMAL 1.0 +/- 0.1  
DECIMAL 1.00 +/- 0.05

CRITICAL DIMENSIONS ARE SHOWN CIRCLED

THIS DRAWING IS THE PROPERTY OF TCS MICROPUMPS LTD. IT IS A CONFIDENTIAL DOCUMENT AND MUST NOT BE COPIED, USED OR ITS CONTENTS DIVULGED WITHOUT PRIOR WRITTEN CONSENT



A3 DIMENSIONS IN MM SCALE 1:1

DRAWN BY IF DATE 24/02/2014

CHECKED BY DATE

TITLE MG 1000 Series Face Mount Manifold

DRG NO P-0146 SHEET NO 1 OF 1 REV 2