

1

2

3

4

5

6

7

8

9

10

A

B

C

D

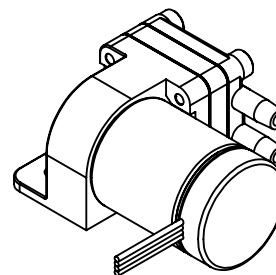
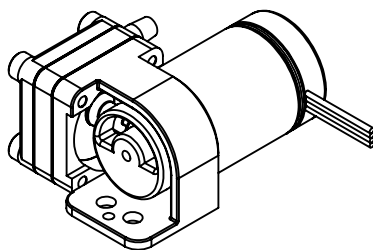
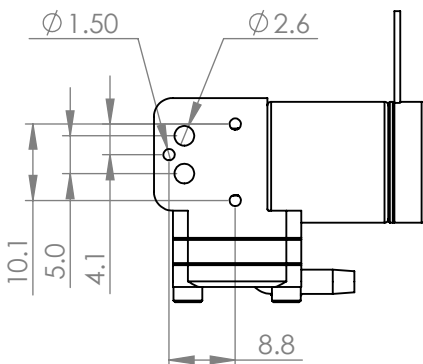
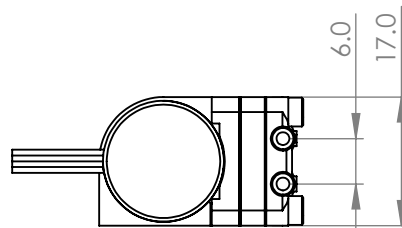
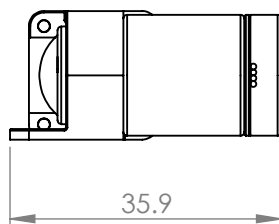
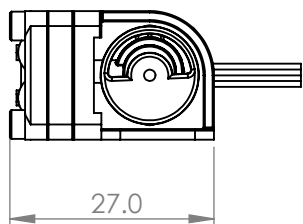
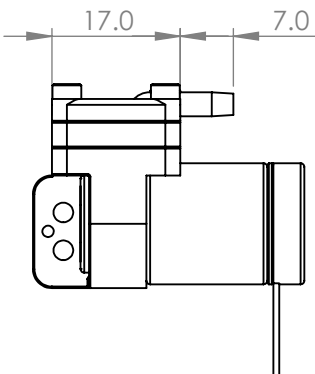
E

F

G

H

NOTE
DIMENSIONS BASED
ON BRUSHLESS
MOTOR VARIANT



REVISIONS

REV	DESCRIPTION	DRN	DATE
1	RELEASED TO PRODUCTION	IF	10/06/2013



TCS MICROPUMPS LTD - HIGHFIELD, FAVERSHAM ROAD,
OSPRINGE, KENT. ME13 OSF TEL (0)1795 539655

NOTES

MATERIAL

COATING

FINISH

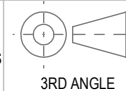
COLOUR

STANDARD TOLLERANCES
APPLICABLE TO ALL DIMENSIONS ON THIS DRAWING UNLESS OTHERWISE STATED

WHOLE NUMBERS +/- 0.5
 DECIMAL 1.0 +/- 0.1
 DECIMAL 1.00 +/- 0.05

CRITICAL DIMENSIONS ARE SHOWN CIRCLED

THIS DRAWING IS THE PROPERTY
OF TCS MICROPUMPS LTD. IT IS A
CONFIDENTIAL DOCUMENT AND
MUST NOT BE COPIED, USED OR ITS
CONTENTS DIVULGED WITHOUT
PRIOR WRITTEN CONSENT



A3 DIMENSIONS IN MM SCALE 1:1

DRAWN BY IF DATE 12/06/2013

CHECKED BY DATE

TITLE Reciprocal Pump

DRG NO D220-D	SHEET NO 1 OF 1	REV 1
------------------	--------------------	----------

1

2

3

4

5

6

7

8

9

10