

1

2

3

4

5

6

7

8

9

10

A

B

C

D

E

F

G

H

A

B

C

D

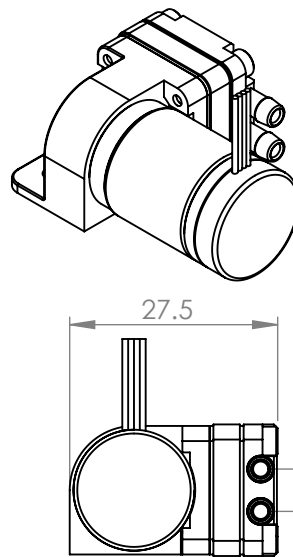
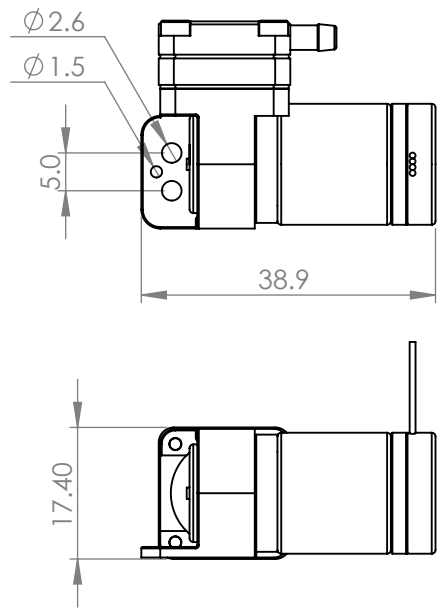
E

F

G

H

BLX VARIANT



TCS MICROPUMPS LTD - HIGHFIELD, FAVERSHAM ROAD,  
OSPRINGE, KENT. ME13 OSF TEL (0)1795 539655

NOTES

DIMENSIONS NOT SHOWN CAN BE TAKEN  
FROM THE CAD MODEL. TOLERANCE +/- 0.05

MATERIAL SEE COMPONENT LEVEL

COATING SEE COMPONENT LEVEL

FINISH SEE COMPONENT LEVEL

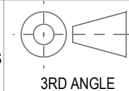
COLOUR SEE COMPONENT LEVEL

STANDARD TOLERANCES  
APPLICABLE TO ALL DIMENSIONS ON THIS DRAWING UNLESS OTHERWISE STATED

WHOLE NUMBERS +/- 0.5  
DECIMAL 1.0 +/- 0.1  
DECIMAL 1.00 +/- 0.05

CRITICAL DIMENSIONS ARE SHOWN CIRCLED

THIS DRAWING IS THE PROPERTY  
OF TCS MICROPUMPS LTD. IT IS A  
CONFIDENTIAL DOCUMENT AND  
MUST NOT BE COPIED, USED OR ITS  
CONTENTS DIVULGED WITHOUT  
PRIOR WRITTEN CONSENT



A3 DIMENSIONS IN MM SCALE 1:1

DRAWN BY JF DATE 24/01/2022

CHECKED BY DATE

TITLE Reciprocal Pump

DRG NO D250 SHEET NO 29 OF 32 REV 6

1

2

3

4

5

6

7

8

9

10