

Micro Centrifugal Liquid Pump Range

Overview : Long Life, High Performance, Pump for Liquids

The M510 series range of pumps are driven by powerful brushless drive motors and can deliver unparalleled flow for their size. Constructed from precision CNC machined aluminium alloy, stainless steel volute and connectors and utilising a seal-less pump design as standard. Optional seals, wetted part coatings and materials are also available enabling this pump range to suit most applications and resist most chemicals and solvents. The pump uses efficient push fit connectors designed for 8.0mm flexible tubing.

Features

- Sensorless, brushless drive motor
- CNC aluminium alloy construction
- Quiet pulseless smooth flow
- Small size only 64 x 32 x 31mm
- Weight 100g
- Free flow up to 10 lpm
- Wide range of chemical resistance
- Sealed waterproof variant available



M510S



M510-180



M510-M



EQi Controller

Typical Applications

- Medical devices
- Fuel Cells
- Cooling Systems
- Low Pressure Fuel Pump
- Lubrication systems
- Battery and Solar Powered Systems

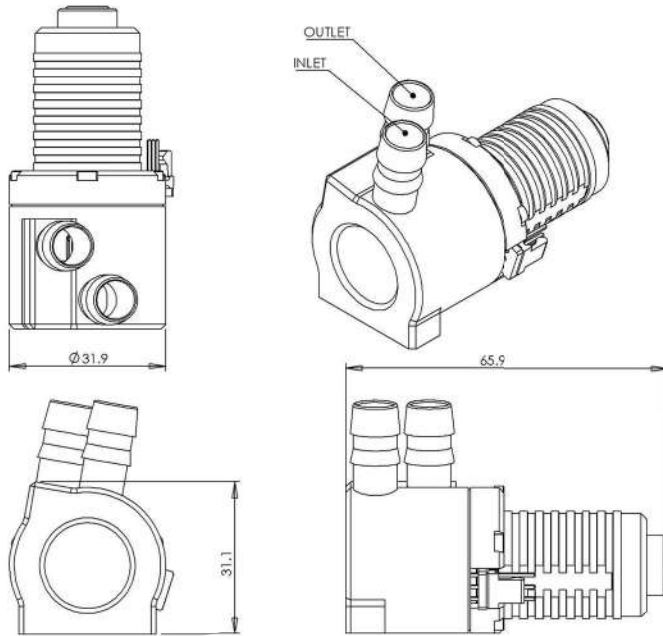
*** Important *** These motors require a separate controller to operate!

The M510 pump range utilizes high performance, efficient sensorless brushless motor technology. TCS Micropumps offer the EQi range of controllers for this purpose.

M510 Pump Options Data

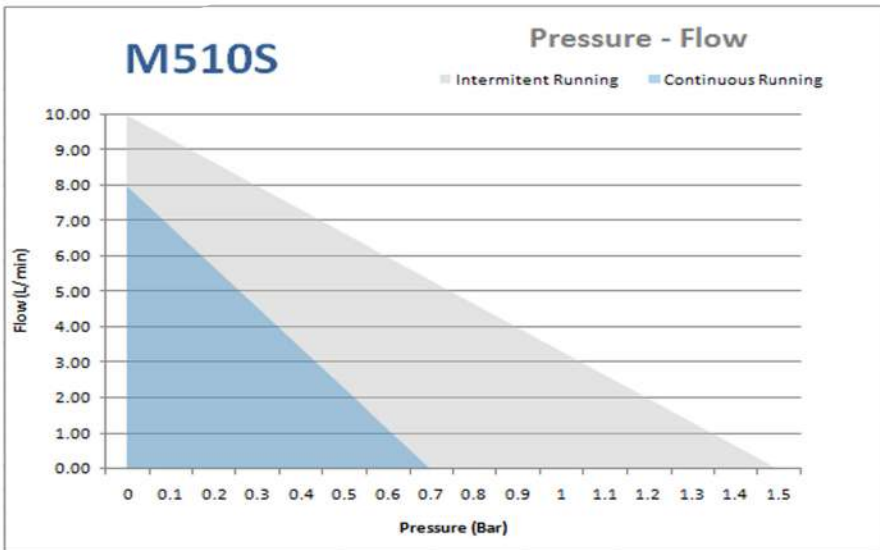
The TCS M510 range comes in 3 different options that can make your pump more suited to your needs. Standard, 180, & Manifold

All M510 pump variants are capable of more than the indicated figure but exceeding this may result in damage to the pump.



Technical Data

- Size 66 x 32 x 31mm
- Weight 170g
- Maximum Free Flow 8 l/min
- Operating Temp - High 100 °C
- Operating Temp - Low -20 °C
- Max Differential Pressure (Continuous) 700mBar
- Max Differential Pressure (Intermittent) 1.5 Bar
- Max System Pressure 100bar+
- Max Continuous Current 1.8A
- Wetted Parts: 316 Stainless Steel, PEEK, Ertalyte, Viton, Nylon
- Fluid Connection - Standard 8mm OD
- Fluid Connection - Manifold (see web for details)
- Typical Life >20,000hrs
- IP Rating - Standard pump IP45
- IP Rating - Waterproof version IP67
- Intergrated drive motor Sensorless Brushless
- Motor Control Type Brushless Driver required
- Electrical Connections
 - Standard Version - TE MTA-100 3/1 Connector
 - Waterproof Version - Stripped wires
- Lead Length 220mm
- Noise Levels (above ambient 50db at 1m) 15dB



Customising and Tailoring your Pump

TCS can offer you variants of any stock pump, to suit your requirements. If you need other seal options, materials, specific performance etc, TCS can configure pumps and systems or provide new, unique solutions developed and tailored exactly to your needs.

New variants and concepts are also designed and developed to suit specific customer requirements by the TCS in-house design and development unit.

If you have a specific requirement that demands a unique pump or system then please contact us; Email - sales@micropumps or Tel - +44 (0) 1795 539 655

