

Micro Gear Driven Liquid Pump Range

Overview : High Pressure Pump Range, Self Priming, Brushless Drive

The TCS MGD3000 Micropump is a high-quality miniature pump for liquids. It is efficient, small and lightweight. The solid construction and wide temperature tolerance, enable it to perform reliably even in hostile environments. Your Micropump can be quickly and easily installed into the smallest spaces, in a vast range of laboratory, prototype and production equipment. It is self priming and the direction of flow is reversible.

Pump Variants



MGD3000-M Manifold Mount Version

Note.

The MGD3000 pump range utilizes high performance, efficient sensorless brushless motor technology.

These motors require a separate controller to operate and TCS Micropumps offer the EQ range of controllers for this purpose.

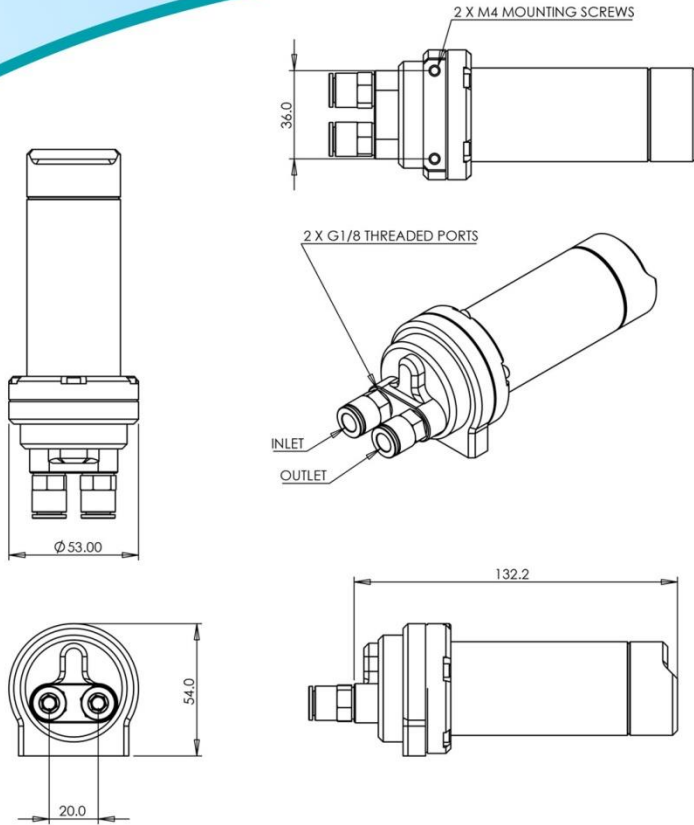


Typical Applications

- Medical devices
- Fuel Cells
- High pressure fuel pump
- Cooling Systems
- Precision Flow
- Lubrication systems

Features

- 3 wire DC Sensorless Brushless Motor
- Supply Voltage: 12-30VC
- Efficient, Small, Lightweight
- Solid structure
- Wide temperature tolerance
- Self priming
- Reversible flow



Materials

Wetted Parts

- Anodised 6000 Series Aluminium
- 316 Stainless Steel
- Viton
- PEEK
- Polyacetal
- Materials typical to a Brushless Motor

Performance Data

- Weight 600g
- Size 132 x 54 x 53mm
- Operating Temp -20 to 100 deg c
- Smooth Pulseless Flow
- IP Rating - Standard pumps IP44
- Noise Levels 15dB
Measured at a distance of 1m with a 50dB ambient noise level
- Viscosity up to 5000 cSt
- MTBF Stock Pumps 10,000hrs
- Max recommended operating pressures
 - MGD3000P - 10.0 Bar (145psi)
 - MGD3000S - 8.0 Bar (116psi)
 - MGD3000F - 6.0 Bar (87psi)
- Max operating power draw 140watts

