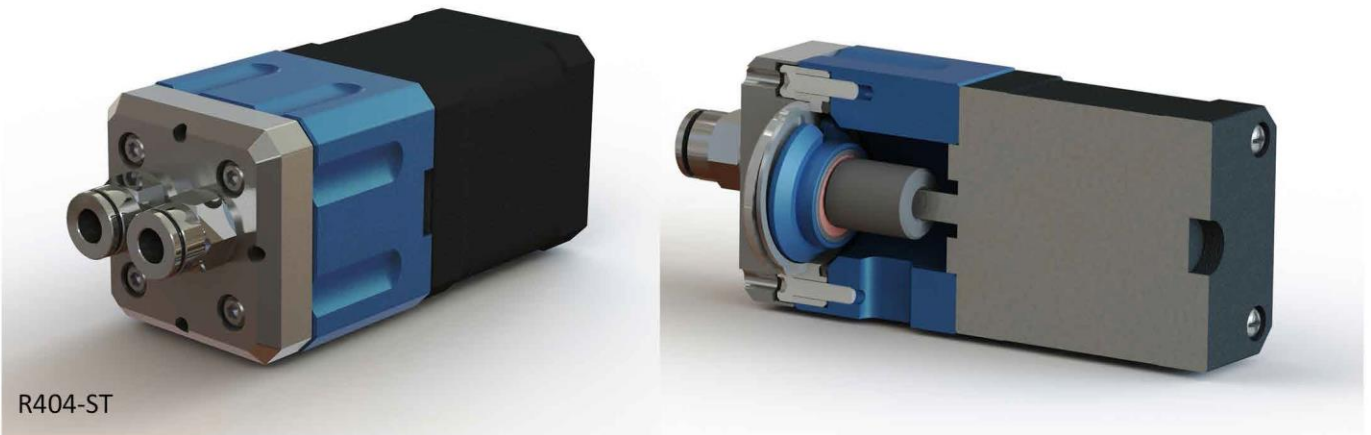


Micro Conical Revolution Liquid and Gas Pump

Overview : Liquid Pump - Efficient, Reversible, Self Priming

The R404-STEPPER combines the proven TCS Micropumps 'Conical Revolution' pumping technology with a Nema17 high torque 'Hybrid' stepper motor which is controlled via a specially programmed TCS Zikodrive motor controller. This provides all the benefits of the R pump technology but with the precise speed control and dosing capabilities that stepper motor technology can provide.

Pump

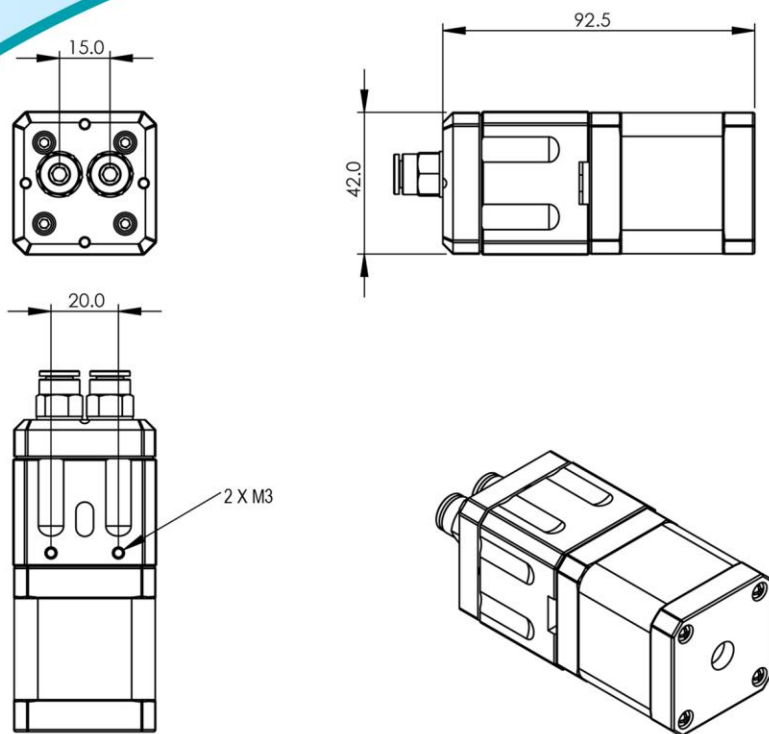


Typical Applications

- Medical devices
- Analysis Systems
- Gas detection and monitoring
- Chemical Handling
- Cooling Systems
- Precision Flow

Features

- Hybrid stepper motor
- Small size
- Self Priming
- Robust
- Dry Running
- Precise Flow Control
- Valveless
- Reversible



Materials

Wetted Parts

- 316 Stainless Steel
- Viton

Other Parts

- 316 Stainless Steel
- Anodised 6000 Series Aluminium

Performance Data

- Small Size 42 x 42 x 92mm
- Weight 500g
- Operating Temp 0 to 100 deg C
- IP Rating IP41
- Noise Levels <20dB

Measured at a distance of 1m with a 50dB ambient noise level

