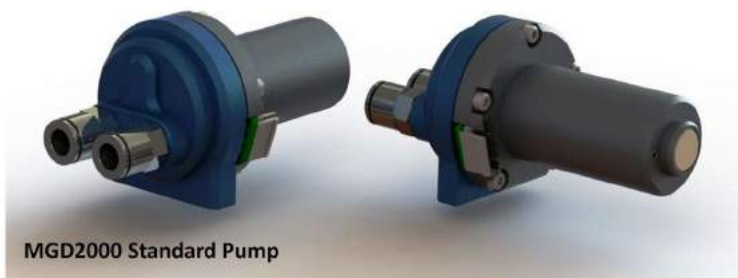


Micro Gear Liquid Pump Range

Overview : High Pressure Pump Range, Self Priming, Brushless Drive

The MGD2000 pump range delivers consistent flow with high or low pressure. They are a self-priming liquid pump. The body is constructed from precision CNC machined components and wetted parts are anodised aluminium, stainless steel, PEEK, ERTALYTE and PET. The MGD2000 range can be used with all common liquids and resists most chemicals and solvents. The pump has two tubing connector options ; push-fit tubing connectors for quick and easy to connection to tubing (these can be removed to fit other 1/8BSP connectors) or for directly mounting to your manifold. In all versions the flow is reversible.

Pump Variants



MGD2000 Standard Pump



MGD2000M Manifold Mount Version

Note.

The MGD2000 pump range utilizes high performance, efficient sensorless brushless motor technology.

These motors require a separate controller to operate and TCS Micropumps offer the EQi range of controllers for this purpose.



Typical Applications

- Medical devices
- Fuel Cells
- High Pressure Fuel Pump
- Cooling Systems
- Precision Flow
- Lubrication systems

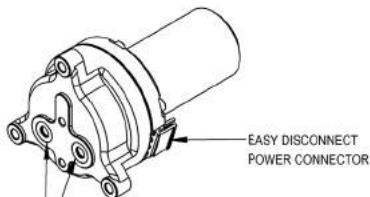
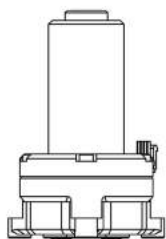
Features

- High pressure capability
- Self-priming
- Smooth almost pulseless flow
- Reversible flow
- CNC aluminium alloy construction
- Small size
- Lightweight
- Wide range of chemical resistance

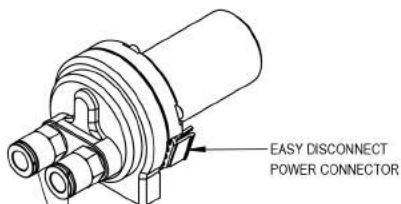
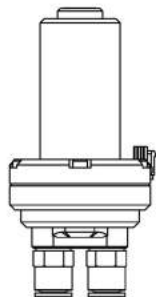
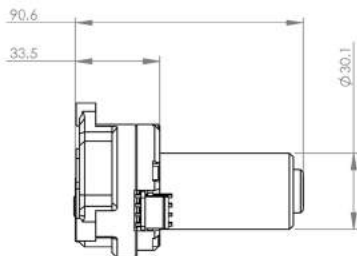
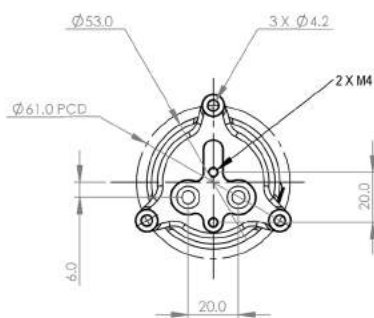
Maximum recommended performance

| MODEL | Input | Power | Flow | Pressure |
|---------------------------------|-------|-------|--------|----------|
| | (v) | (W) | (mLpm) | (Bar) |
| MGD2000S (ALL MODELS) | 12 | 78 | 1400 | 10 |
| MGD2000F (ALL MODELS) | 12 | 78 | 2300 | 6 |

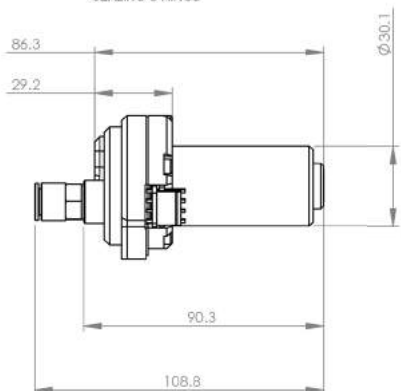
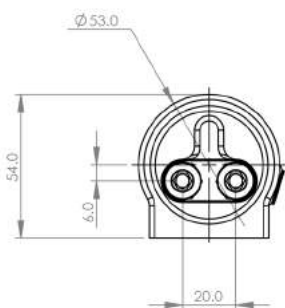
Performance for stock pumps running on TCS Coolant



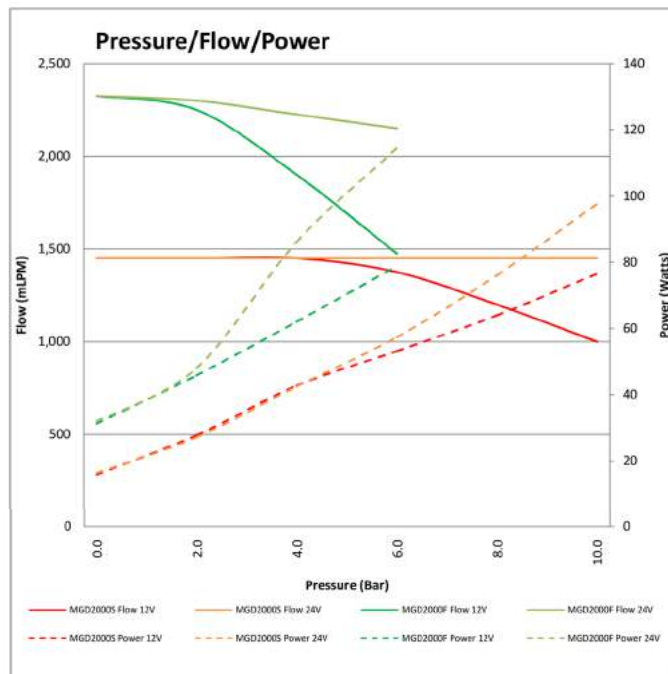
INLET AND OUTLET PORTS COMPLETE WITH SEALING O RINGS



INLET AND OUTLET PORTS COMPLETE WITH SEALING O RINGS



All tests conducted pumping TCS Coolant and using an EQi-MG2 motor controller. Note for maximum pump life you should not subject the MG2D000S to pressures exceeding 10 bar and the MGD2000F should not exceed 6 bar



Materials

Wetted Parts

- Anodised 6000 Series Aluminium
- 316 Stainless Steel
- Viton
- PEEK
- PET
- ERTALYTE

Performance Data

- Small Size 91 x 53 x 54mm (exc connector)
- Weight S = 344 g F = 350g
- Operating Temp 0 to 100 deg C
- Smooth Pulseless Flow
- IP Rating - Standard pumps IP45
Waterproof variants IP67
- Noise Levels 20dB
Measured at a distance of 1m with a 50dB ambient noise level
- MTBF Stock Pumps 10,000hrs
Special Variants available to order >100,000hrs