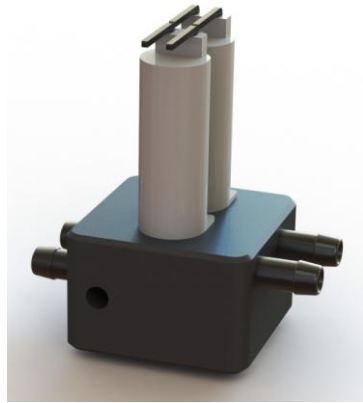


## **TCS MICROPUMPS: TCS-303**

(Patents Pending, Quality Assured ISO 9001, RoHS compliant, IP23 protection rating)

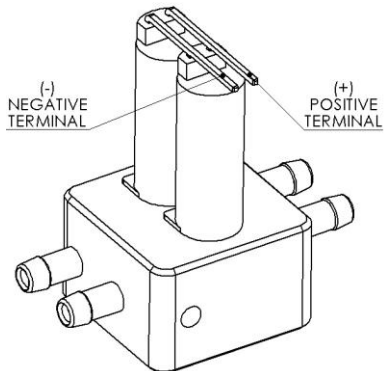
### **INTRODUCTION**

The TCS-303 Reversible Flow Manifold changes the direction of flow within a given piped circuit. It is highly efficient, small and lightweight. The solid construction and wide temperature tolerance, enable it to perform reliably even in hostile environments. The manifold can be quickly and easily installed into the smallest spaces, in a vast range of laboratory, prototype and production equipment.



### **ELECTRICAL CONNECTION**

The TCS Reversible Flow Manifold requires a 12v DC power source to operate and can be connected to batteries or a TCS power supply TCS-600 (see accessories page on website).

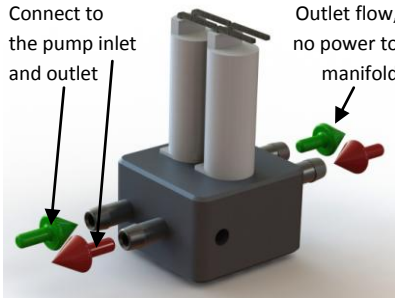


### **Materials**

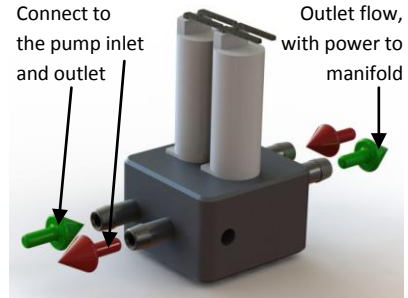
Housing	Anodised Aluminium
Tubing Connectors	Stainless Steel
Valve bodies	Engineering Grade Polymers
Seals	Silicon and FKM

## TUBING & CONNECTORS

The TCS-303 Manifold should be placed in line with your piping circuit as required.



Power Off  
Flow Direction as Indicated



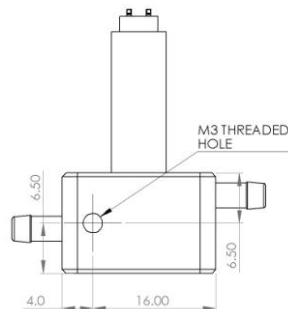
Power on  
Flow Ports Reversed

## Tube Connection

TCS-602: Flexible tubing 2.4mm bore and a range of various inline connectors are available to order from <http://www.micropumps.co.uk/TCSAccessories.html> (see the accessories page on the website)

## Mounting

The TCS-303 Manifold can be bonded to a suitable surface or screwed into position using the mounting hole shown



## Notes on Operation

**DO NOT IMMERSE YOUR MANIFOLD**

**Do not operate above 1bar (14.5psi) or against a closed outlet as permanent damage can occur**