

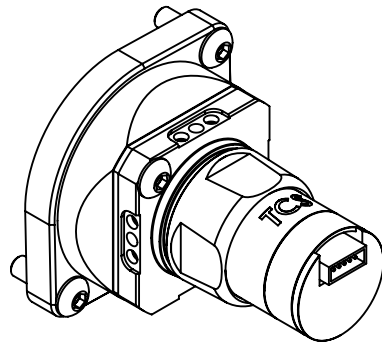
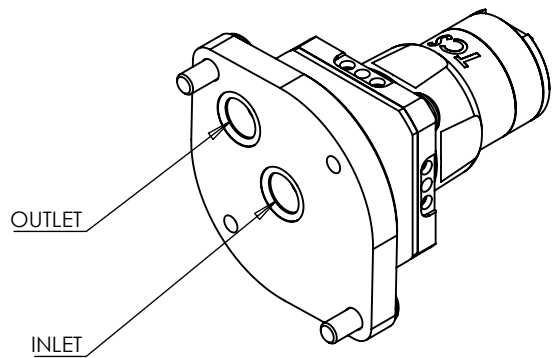
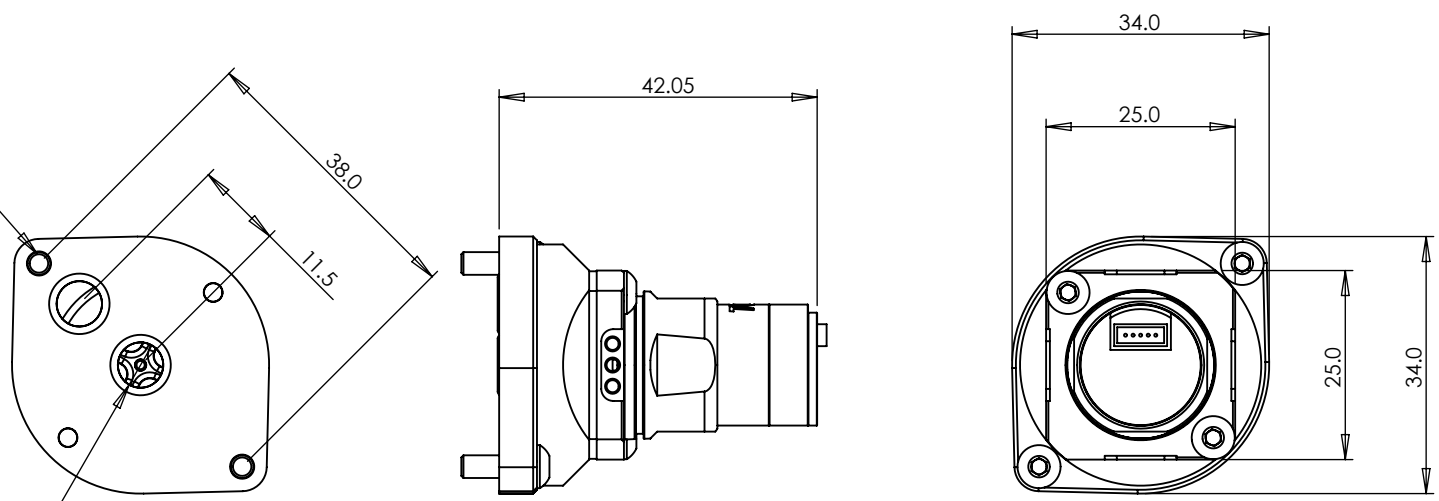
M410M

2 X M3  
MOUNTING  
SCREWS

2 x Ø6.0

OUTLET

INLET



TCS MICROPUMPS LTD - HIGHFIELD, FAVERSHAM ROAD,  
OSPRINGE, KENT. ME13 OSF TEL (0)1795 539655

NOTES

MATERIAL SEE COMPONENT LEVEL

COATING

FINISH NATURAL, UNMARKED

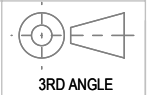
COLOUR SEE COMPONENT LEVEL

STANDARD TOLERANCES  
APPLICABLE TO ALL DIMENSIONS ON THIS DRAWING UNLESS OTHERWISE STATED

WHOLE NUMBERS +/- 0.5  
DECIMAL 1.0 +/- 0.1  
DECIMAL 1.00 +/- 0.05

CRITICAL DIMENSIONS ARE SHOWN CIRCLED  
DIMENSIONS NOT SHOWN CAN BE TAKEN FROM THE CAD MODEL. TOLERANCE +/- 0.1

THIS DRAWING IS THE PROPERTY  
OF TCS MICROPUMPS LTD. IT IS A  
CONFIDENTIAL DOCUMENT AND  
MUST NOT BE COPIED, USED OR ITS  
CONTENTS DIVULGED WITHOUT  
PRIOR WRITTEN CONSENT



A3 DIMENSIONS IN MM SCALE 1:1

DRAWN BY JF DATE 12/11/2018

CHECKED BY DATE

TITLE Long Life Centrifugal Pump

DRG NO M410-MACHINED	SHEET NO 5 OF 6	REV 3
-------------------------	--------------------	----------