

1

2

3

4

5

6

7

8

9

10

A

B

C

D

E

F

G

H

A

B

C

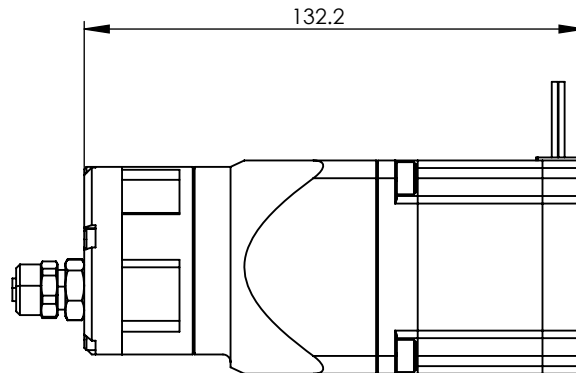
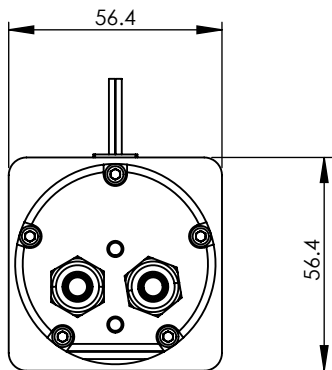
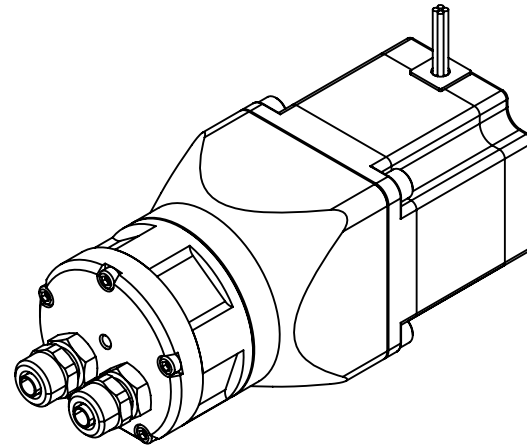
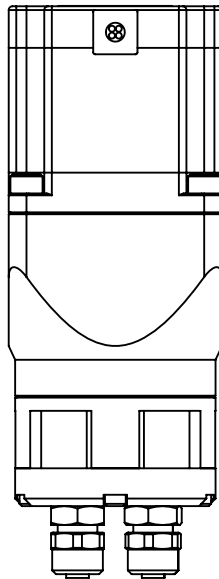
D

E

F

G

H



TCS MICROPUMPS LTD - HIGHFIELD, FAVERSHAM ROAD,  
OSPRINGE, KENT. ME13 0SF TEL (0)1795 539655

NOTES

DIMENSIONS NOT SHOWN CAN BE TAKEN FROM THE CAD MODEL. TOLERANCE +/- 0.05

MATERIAL SEE COMPONENT LEVEL

COATING SEE COMPONENT LEVEL

FINISH NATURAL, UNMARKED

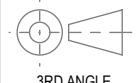
COLOUR N/A

STANDARD TOLERANCES APPLICABLE TO ALL DIMENSIONS ON THIS DRAWING UNLESS OTHERWISE STATED

WHOLE NUMBERS +/- 0.5  
DECIMAL 1.0 +/- 0.1  
DECIMAL 1.00 +/- 0.05

CRITICAL DIMENSIONS ARE SHOWN CIRCLED

THIS DRAWING IS THE PROPERTY OF TCS MICROPUMPS LTD. IT IS A CONFIDENTIAL DOCUMENT AND MUST NOT BE COPIED, USED OR ITS CONTENTS DIVULGED WITHOUT PRIOR WRITTEN CONSENT



A3 DIMENSIONS IN MM SCALE 1:2

DRAWN BY JF DATE 18/02/2019

CHECKED BY DATE

TITLE Stepper Driver Gear Pump

DRG NO MG2000-STEP SHEET NO 2 OF 2 REV 3

1

2

3

4

5

6

7

8

9

10