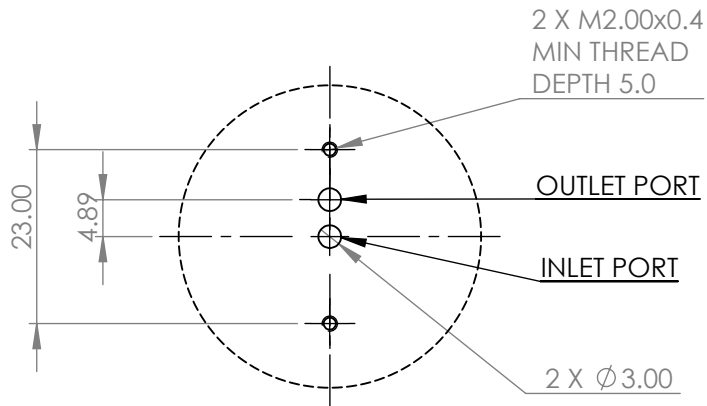
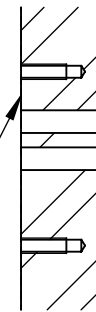


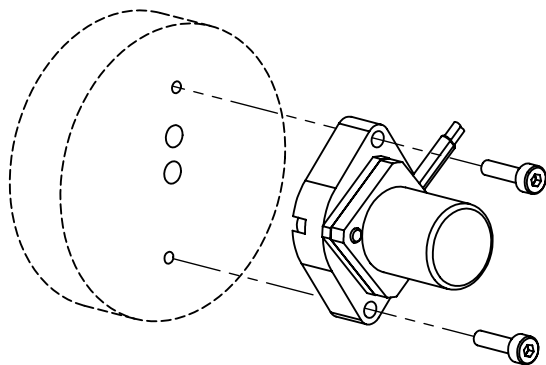
DRAWING SHOWS INTERFACE DIMENSIONS.  
THESE FEATURES SHOULD BE INCORPORATED  
INTO YOUR OWN MANIFOLD DESIGN



FACE SHOULD BE  
SMOOTH AND FLAT TO  
ENSURE A GOOD SEAL  
WITH PUMP O-RINGS



SECTION A-A



DESIGNED FOR USE WITH: -  
2 X M2 FIXING SCREWS  
2 X 3.0ID - 1.0 WALL O-RINGS  
(SUPPLIED WITH THE PUMP)

REVISIONS

REV	DESCRIPTION	DRN	DATE
1	RELEASED TO PRODUCTION	IF	26/03/2014



TCS MICROPUMPS LTD - HIGHFIELD, FAVERSHAM ROAD,  
OSPRINGE, KENT. ME13 OSF TEL (0)1795 539655

NOTES

MATERIAL NOT SPECIFIED

COATING N/A

FINISH ALL EXTERNAL FACES TO BE UNMARKED  
AND BLEMISH FREE

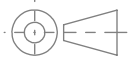
COLOUR N/A

STANDARD TOLLERANCES  
APPLICABLE TO ALL DIMENSIONS ON THIS DRAWING UNLESS OTHERWISE STATED

WHOLE NUMBERS	+/- 0.5
DECIMAL 1.0	+/- 0.1
DECIMAL 1.00	+/- 0.05

CRITICAL DIMENSIONS ARE SHOWN CIRCLED

THIS DRAWING IS THE PROPERTY  
OF TCS MICROPUMPS LTD. IT IS A  
CONFIDENTIAL DOCUMENT AND  
MUST NOT BE COPIED, USED OR ITS  
CONTENTS DIVULGED WITHOUT  
PRIOR WRITTEN CONSENT



3RD ANGLE

A3 DIMENSIONS IN MM SCALE 1:1

DRAWN BY IF DATE 26/03/2014

CHECKED BY DATE

TITLE M200 Manifold Detail

DRG NO P-0306	SHEET NO 1 OF 1	REV 1
------------------	--------------------	----------