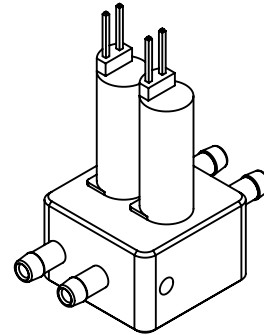
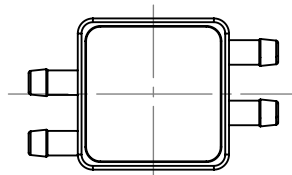
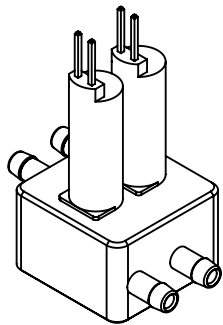
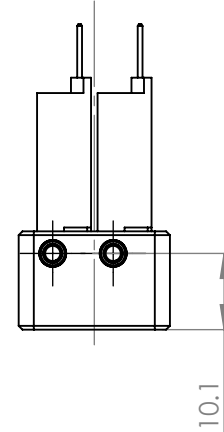
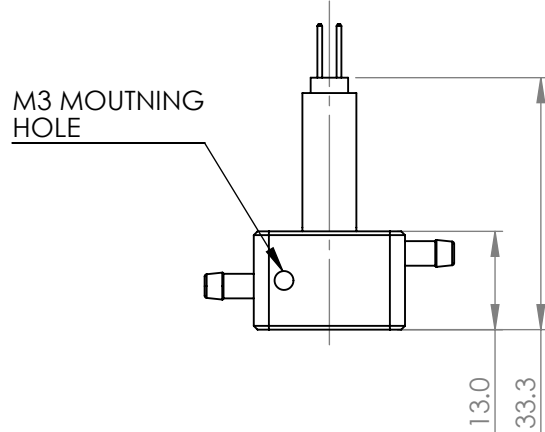
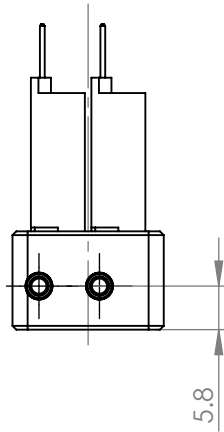
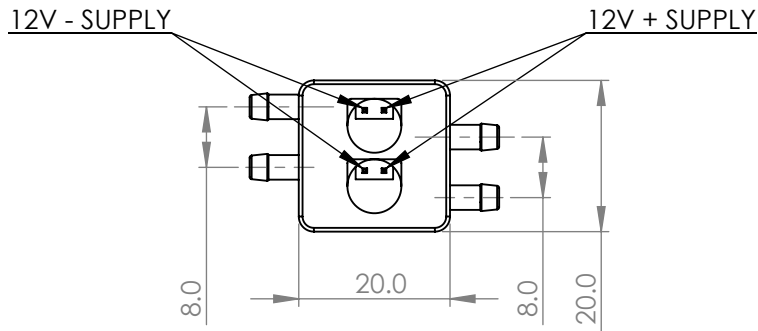


GENERAL DIMENSIONS



REVISIONS			
REV	DESCRIPTION	DRN	DATE
1	RELEASED TO PRODUCTION	IF	24/04/2013



TCS MICROPUMPS LTD - HIGHFIELD, FAVERSHAM ROAD,
OSPRINGE, KENT. ME13 OSF TEL (0)1795 539655

NOTES

MATERIAL	SEE COMPONENT LEVEL
COATING	SEE COMPONENT LEVEL
FINISH	SEE COMPONENT LEVEL

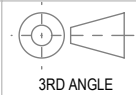
COLOUR SEE COMPONENT LEVEL

STANDARD TOLLERANCES
APPLICABLE TO ALL DIMENSIONS ON THIS DRAWING UNLESS OTHERWISE STATED

WHOLE NUMBERS	+/- 0.5
DECIMAL 1.0	+/- 0.1
DECIMAL 1.00	+/- 0.05

CRITICAL DIMENSIONS ARE SHOWN CIRCLED

THIS DRAWING IS THE PROPERTY OF TCS MICROPUMPS LTD. IT IS A CONFIDENTIAL DOCUMENT AND MUST NOT BE COPIED, USED OR ITS CONTENTS DIVULGED WITHOUT PRIOR WRITTEN CONSENT



A3	DIMENSIONS IN MM	SCALE	1:1
DRAWN BY	IF	DATE	11/08/2014
CHECKED BY		DATE	

TITLE Reversible Flow Manifold - 2.4mm

DRG.NO	SHEET NO	REV
TCS-303-D	1 OF 1	1